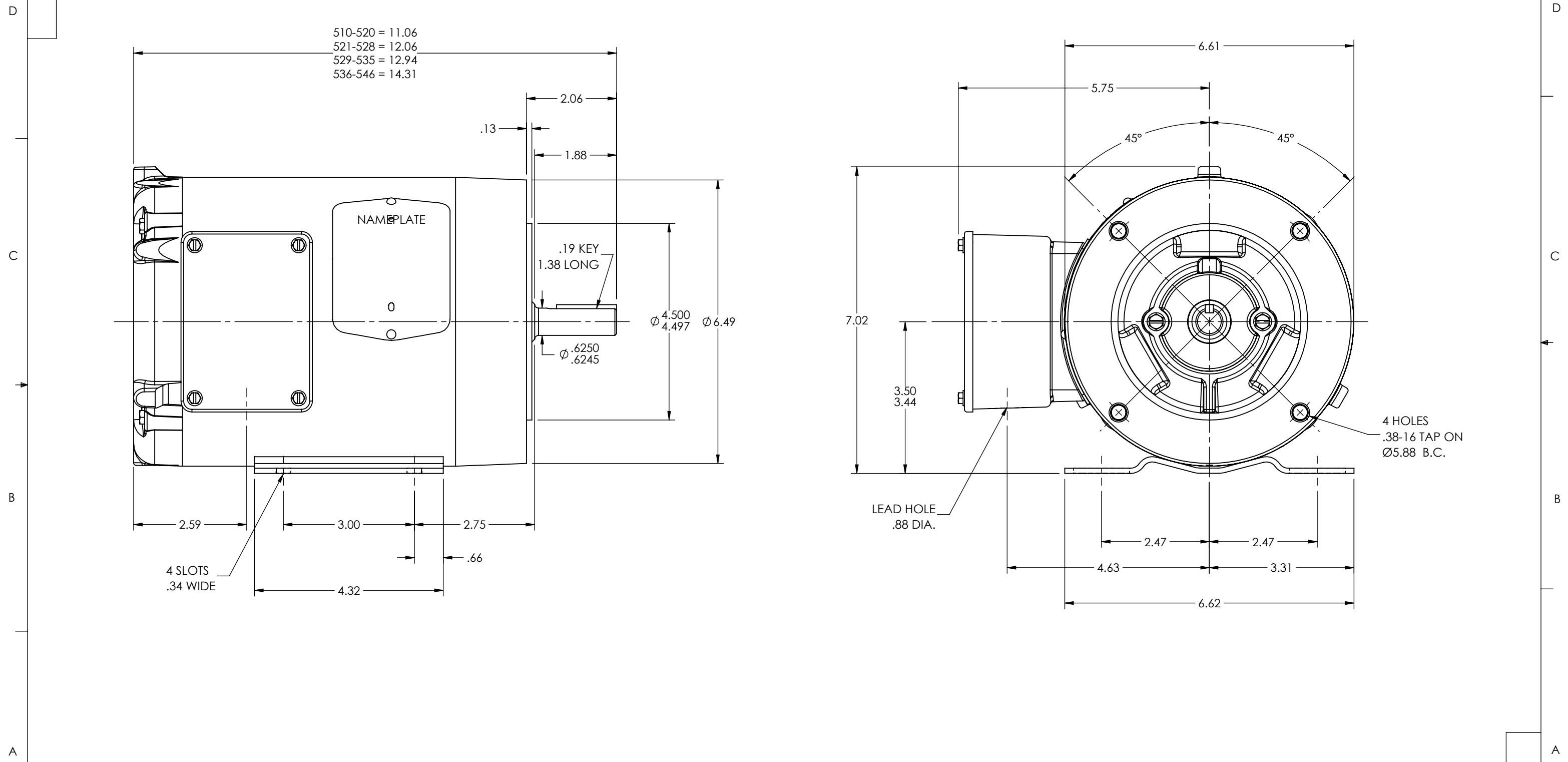


8 7 6 5 4 3 2 1

35LYE012



CUSTOMER IS RESPONSIBLE FOR DETERMINING THAT THE PRODUCT WILL PERFORM SUITABLY IN THE INTENDED APPLICATION

REV. DESC: UPDATE 3D MODEL BOM PER REV AC, NO CHG TO 2D PRINT			
REV: V	VERSION: 10	REVISED: 09:52:22 03/15/2022	TDR: 000001187335
MODEL NO. 35LYE012			REF: -
BY: USBUFRA			<b>B</b>

**BALDOR - RELIANCE®**

STD HORZ 56C TENV M  
 SH 1 of 1

35LYE012

8 7 6 5 4 3 2 1